



Important information

After (seasonal) use, make sure the Fairybell® is completely dry. Lay the Fairybell® out on the ground and tie the orange ribbons around various sections of the Fairybell® (straps with lights) so that next season you start with an untangled Fairybell®.

When placing the Fairybell® back into the box, hold the top hook and lower the bottom part (plugs and elastics) first into the box and finish on top with the hook. Always store the Fairybell® in a clean and dry place. Lower the Fairybell® at windforce 6 or higher.

Missing parts or defects

All spare parts can be ordered at our webshop. See 'service request' at our webshop.

Need help?

Do you need help with placing the Fairybell®? Scan the QR code below to watch the instructional videos from our products.

Scan QR for our instructional videos



www.fairybell.com

Fairybell® is a registered trademark of Hemsson Holding BV www.fairybell.com

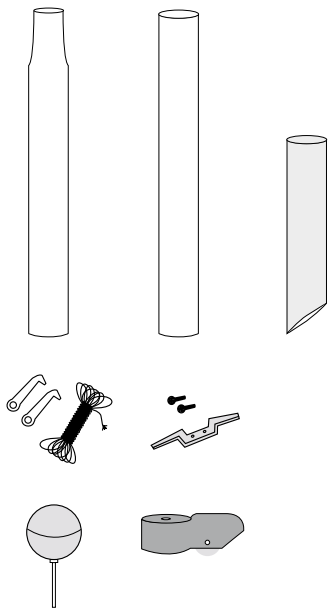
This is a worldwide patented product | Certifications: CE and RoHS compliant



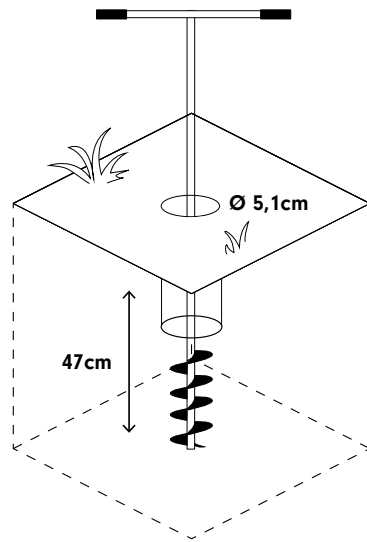
Fairybell® Flagpole

Assembly instructions - Opbouw instructies
Aufbauanleitung - Instruction de construction
Istruzioni di assemblaggio - Monteringsanvisning

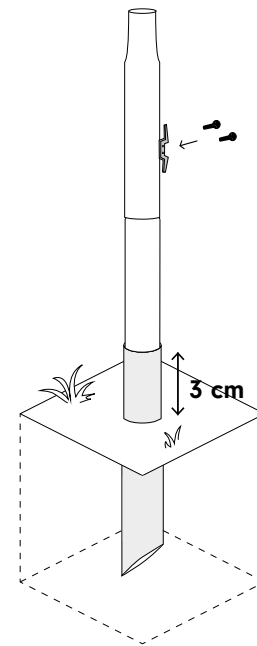
1



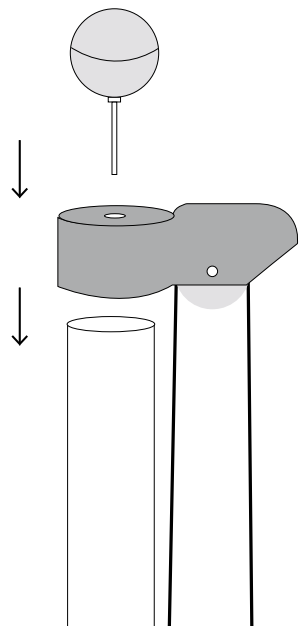
2



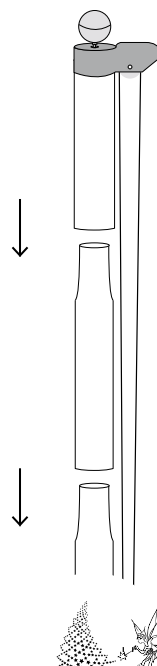
3



4



5



6

